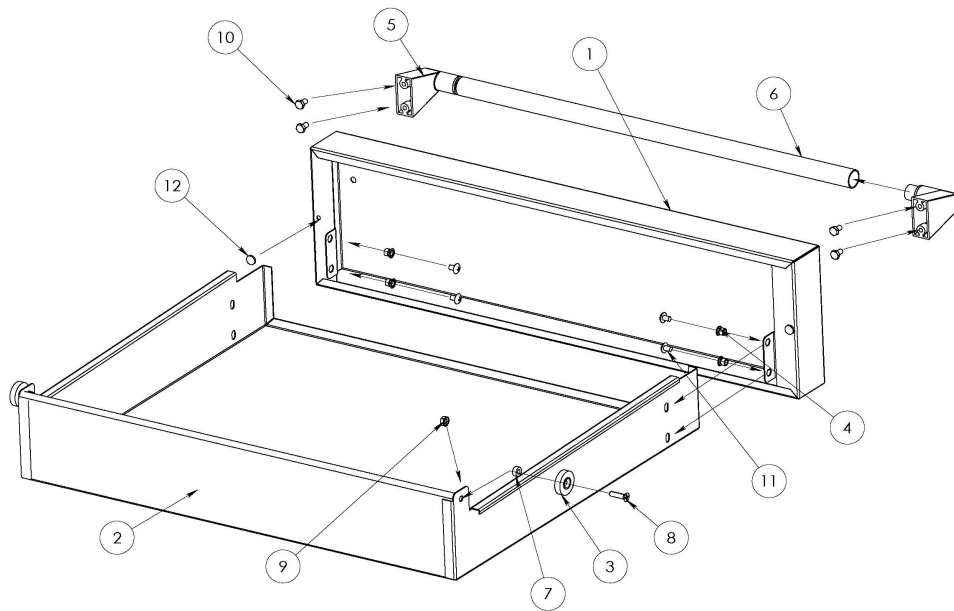


# LSMKF Cart Drawer

Click on any circled item, then add the part to your cart. If it won't click, the part is not available. If the part is not available, please call us at: 888.988.4546



Item	Part No.	Name	Qty	Uom	NOTES
1	35818	DRAWER FACE, 30"	1	EA	
2	70476	DRAWER BODY, 30"	1	EA	
3	10192	BEARING, FLT SS 1.3125 DIA	2	EA	
4	32769	NUT, 1/4-20, INSERT, STEEL, ZINC	4	EA	
5	31736	END CAP FDR HOOD HANDLE	2	EA	
6	32522	HOOD HANDLE, 30°	1	EA	
7	10193	SPACER, 1/4 NOM, 1/2 O.D. X .21, SS, RND	2	EA	
8	14043	SCREW, 1/4-20 X 1, FHP, SS	2	EA	
9	31876	NUT, 1/4-20, LKN, STEEL, W/ESL	2	EA	
10	14030	SCREW, 1/4-20 X 1/2, HHD, SS	4	EA	
11	14012	SCREW, 1/4-20 X 3/8 PH TRUSS HD, SIS	4	EA	
12	32477	HOOD BUMPER, .500 DIA	2	EA	